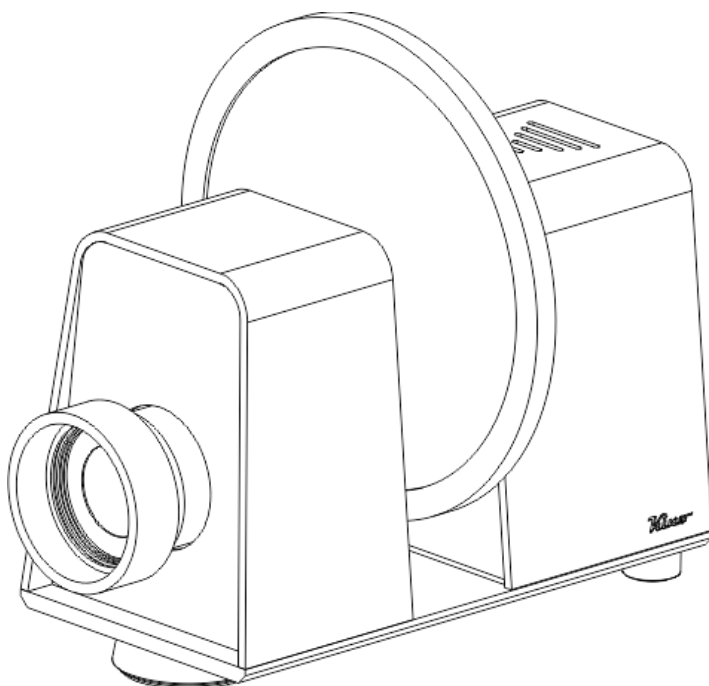


Product Manual



[OPTI][™] *Kino*



Designed and Manufactured in the UK by Optikinetics

Contents

Product Overview	1
Mounting the Projector	2
Inserting the Effect Wheel	3
Focusing the Image	3
Cleaning & Focussing Lens	4
Switching On/Switching Off	4
Dimming the Image	5
Using the App	7 to 15
F.A.Q	16
Safety Instructions	17
Additional Accessories	18
Guarantee	19



Product Overview

The [OPTI] Kino LED is an ideal Home Projector with Wi-Fi connectivity, a dimmer function and various additional features, such as on/off timer capabilities, speed and direction control, all of which are accessible via the OPTI Kinect App. The projector also includes the option for voice control capability.

Packed Box Contents:

- 1x [OPTI] Kino LED Projector
- 1x External Power Supply E149474 or BSEN61558
- 1x Effect Wheel*

Power Rating: 15W

Operating Voltage: 12V DC

Power Adapter Input Voltage & Current: 230V/65mA or 115V/130mA

Product Size: (L)22cm / (W)10cm / (H)13.5cm(min) - 15.5cm(max)

Product Weight: 1.8kg / 3.97 lbs (without effects wheel)

Packed Product Size: 29 x 28 x 20 cm

Packed Product Weight: 3Kg



*Effect Wheel Varies.



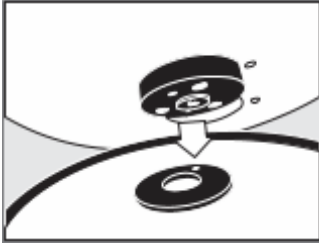
Designed and Manufactured in the UK by Optikinetics

Installing the Projector

The Kino projector can be placed on any flat surface, with a clear line of site to the area you wish to project onto. You can adjust the tilt of the Kino by twisting the front foot of the projector to increase or decrease the angle of projection.



Inserting the Effect Wheel



Position the magnetic wheel onto the magnetic adaptor on the projector.

To remove the wheel simply lift it off.

Focussing the Image

To focus the projected effect, twist the lens left or right until your desired focus is achieved.

The [OPTI] Kino projects a moving image of any size, however it is recommended that the maximum image projected is 4m/13" in diameter. An image can be projected onto any medium. For best results, use the projector in a dark environment.

Cleaning the Focussing Lens



Use a soft tissue or lens cloth with a little methylated spirit or pure alcohol. When

dusting the Kino please ensure to take care with the wooden body using appropriate cleaning fluids and materials, and gentle wiping down ensuring the cloth doesn't catch on any corners.

Operating the Projector

Switching On/Switching Off

To turn the projector on, connect the power supply cable to the inlet socket on the rear of the projector. After connecting the power, the projector will revert to whichever on/off state it was in when the power

was last disconnected. If the projector was on when power was last disconnected then it will come on. If it was in standby (off) when the power was last disconnected, it will go into standby mode (light and motor off).

The 'Manual Control Button' next to the power socket is used to control the projector in basic (non-App) mode. To turn the projector on or off, press the button once briefly.

Dimming the Image

The projector has a bright dimmable light that is perfect in a home environment.

To dim the image in basic (non-App) mode, turn on the light (if not already on), then press and hold down the 'Manual Control Button'. The light will gradually dim down and then back up again and will continue to do so as long as the button is held. To set your desired brightness level, simply release the button when the desired level is reached.

Note:

It may take up to 15 minutes for liquid wheels to start to work as they contain oil that will flow freely once heated. This heat will come from the projector.

Using the App

The 'OPTI Kinect' App has been created free of charge to allow users to control the [OPTI] Aura projector remotely. The app is available on IOS and Android platforms and can be downloaded from the Apple App Store or the Google Play Store. Alternatively, you can visit our website **www.optikinetics.co.uk**

Configuration

The [OPTI] Kino Projector should be configured to be part of your home WiFi network. This configuration process only needs to be done once. (Note: before starting the configuration, make a note of your home WiFi network SSID and the password)

1. Download and install the 'OPTI Kinect' App on your mobile device.
2. Open the App, click on the white 'Sign Up' button and follow the instructions to create a User Account. (Be sure to select the correct geographical region from the drop-down menu and to click on the check-box to the left of the User Agreement & Privacy Policy links.
3. Once your user account is set up and verified and you are logged into your User Account, ensure the [OPTI] Kino projector is switched on.
4. Short press the 'Manual Control Button' on the side of the projector 3 times quickly (max 0.5 seconds between presses). After a few moments the light on the projector will start to fade up and down continuously, indicating that the projector is in pairing mode.

5. Go to the Opti Kinect App. If not already there, go to the 'Home' page (bottom left of screen).
6. Make sure the projector's light is still fading up and down, then click on the blue 'Add Device' button in the App. The App will now search for available devices.
7. A pop-up should now appear showing an Opti Projector available to add. Click on 'Go to add'.
8. You will now be asked to enter your home WiFi network details. Be sure to select the correct network SSID and then enter the password. Click 'Next'
9. The App will now begin to add the Kino projector. Once added, the 'Next' button will appear. Click on the button.
10. You will now see the newly added device, which will be listed as 'Opti Projector'. You can click on the edit (pen) symbol, next to the device name, to change the name of the device if you wish.
11. Once finished, click 'Done' (top right of screen).
12. The device control panel should appear and you can now control all the functions of the projector from the App, as well as set up timers and schedules etc.

Note: to add another Kino projector or any other compatible OPTI products to the App, follow the same process as above, starting at Step-4.

Using the App to control the Kino

To control the projector using the 'OPTI Kinect' App, go to the Home page of the App. On this page you will see all the devices you have added to the App.

Basic Control

The basic functions of the Kino (on/off/dimming) can be controlled directly from the Home page of the App.

To the right of each device listed on the Home page you will see an on/off button. Click on this to turn the corresponding device on and off.

In addition, each device listed on the Home page also has a 'Common Functions' control feature. Click on the green 'Common Functions' text for the device you wish to control and the Common Functions buttons will appear below the text. You can use these buttons to control on/off as well as dimming.

Notes:

When controlling dimming, the brightness level will change to the new setting when you release the slider button. It will not change as you move the slider.

Dimming control is independent from on/off control. You can still adjust the dimming level when the device is set to 'Off' and the new setting will be seen when you turn the device back on.

The minimum dimming level is 10%. If you want the light to go to 0% brightness (i.e. off) you must use the on/off button.

Full Control

The full range of functions for the Kino Projector can be controlled by going to its dedicated Device Panel.

From the Home page, choose which device you wish to control and click somewhere within the grey box for that device where there is no direct control button (e.g. on the picture or on the device name).

The dedicated Device Panel will open and you can now control all the functions of the projector.

On/Off

Click on the large circular button at the bottom centre of the screen to turn the projector on and off.

Dimming

Move the blue slider button to control the lamp brightness. You can also use the buttons at each end of the slider to change the brightness in 10% steps. (Note: minimum brightness is 10%)

Speed

Click on the '+' and '-' buttons to the left and right of the speed dial to gradually change the wheel rotation speed. You can also click anywhere on the dial to instantly change the speed to that setting.

Direction

Use the two direction buttons directly below the speed dial to control the rotation direction of the effects wheel. (Note: default is anti-clockwise – RH button)

On/Off Timer

You can set a timer to turn the Kino either on or off after a chosen period of time. If the Kino is already on when you set the timer, it will turn off after the set period. If the Kino is already off when you set the timer, it will turn on after the set period.

To set the timer, click the 'On/Off Timer' button on the bottom left of the screen. A pop-up will appear where you can set the desired time. Configure your chosen time period and then click 'Confirm'. The

'On/Off Timer' button will now read 'On After' or 'Off After' depending on the current state of the projector and the set time period will be shown. When the time has elapsed, the projector will turn on or off according to the current state and the 'On/Off Timer' button will revert back to normal.

(Note: during the timer countdown, the remaining time will not be displayed, only the overall duration of the timer).

Schedule

You can set a schedule to turn the Kino on or off at a certain time of day and on any chosen day/s of the week. You can set multiple scheduled events to perform either on or off functions to suit your needs.

To set a schedule, click on the 'Schedule' button on the bottom right of the screen. A Schedule screen will appear. Click on 'Add'. A pop-up screen will appear where you can configure an on or off event. Set the desired time of day for the event and select which days of the week you want the event to happen, then set the type of event you want, either 'On' or 'Off'.

You also have the option to set a name for the event, as well as choose whether you want to receive a notification when the event happens.

When you have finished configuring your options, click on 'Save'

Repeat the above process for each additional event you want to schedule. For example, if you want the projector to come on at a certain time and then go off at a certain time, you will need to create two scheduled events. One for the 'on' event and one for the 'off' event.

Editing & Deleting

To edit the name, access additional features, or to delete a device from the App, go to the Device Panel for that particular device, then click 'EDIT'. A page will appear showing various options which you can configure to your own preference.

To delete the device from the App, scroll to the bottom of the EDIT page and click 'Remove Device'. A pop-up will appear asking if you

want to simply disconnect the device or to disconnect and wipe data. Click on your preferred option.

Scenes & Automation

The OPTI Kinect App also includes the ability to set up comprehensive scene and automation presets, with independent control over all individual functions of the projector.

To access these features, from the Home page click on 'Smart' (bottom middle of screen). The Automation page will open where you can then add and configure multiple events and schedules to suit your needs. Feel free to experiment and familiarise yourself with all the powerful functions in this section. (You can always edit or even delete anything you create if you go wrong at first).

Groups

If you have more than one Kino (or other compatible OPTI devices) added to the App, you can create a group containing two or more devices and control all devices within the group together at the same time. It is also possible to create more than one group if you wish.

To create a group, open the Device Panel for one of the individual devices. Click 'EDIT' (top right), then select 'Create Group'. A list of all available devices will appear, with the one from the currently active Device Panel shown at the top, as the first device already added to the group.

Select which other devices you wish to add to the group by clicking on them, then click 'Save' (top right). A pop-up will appear asking you to name the group. Enter a name of your choice and then click 'Save'. A new Device Panel will now appear displaying the name of the group you just created and you will now be able to control all the devices in that group simultaneously.

When you return to the Home page (left arrow – top left), you will see that the new group is listed along with all the individual devices. You can perform basic control of the group from the Home page in the

same way as for an individual device, or you can click on the group and go to the dedicated Device Panel to gain full control.

To edit or delete a group, follow the same procedure as for a single device, as described in 'Editing & Deleting' above.

Note: The 'on/off timer' function is not available for group control, however you are still able to set up schedules in the same way as for individual devices.

Voice Control

The OPTI Kino projector can be controlled via voice commands using Amazon Alexa and Google Assistant compatible devices. To activate this capability, you will first need to download and install the Amazon Alexa and/or Google Assistant/Google Home Apps on your mobile device and have a suitable User Account set up and active for whichever service you intend to use.

Alexa

To activate Amazon Alexa voice control, open the Alexa App on your mobile device and click 'More' (bottom right). Click on 'Skills & Games', then click on the search symbol (top right). In the search text box which appears, enter Opti Kinect and click 'Search'. The OPTI Kinect skill should be found and listed at or near the top of the search results. Click on the OPTI Kinect App in the list and then click on 'Enable to Use'.

Next go to the OPTI Kinect App on the same mobile device and from the Home page, click on 'Me' (bottom right). There you will see the Amazon Alexa logo. Click on the Alexa logo and then click on 'Sign in With Amazon'. The Alexa App will open. Click on 'LINK'. Your OPTI Kinect account should now be linked to your Amazon Alexa account. Click on 'Back' to return to the OPTI Kinect App.

As this is the first time you have linked your OPTI Kinect and Amazon Alexa accounts, all the OPTI devices already added in your OPTI Kinect App should now be recognised in the Alexa App (under the

'Lights' category) and you can control them from the App or by voice command using suitable commands.

Note: if you later add more devices in your OPTI Kinect App, they might not automatically be recognised by Alexa and you may need to manually recognise them by clicking '+' on the Alexa Devices tab and 'Add Device'. Similarly, if you change the name of a device from within the OPTI Kinect App you will need to delete the old named version from the Alexa App and re-add it to Alexa with the new name.

Google Assistant

To activate Google Assistant voice control, make sure the Google Home App is logged into the account you want to use for voice control.

Open the OPTI Kinect App and click on 'Me' (bottom right). There you will see the Google Assistant logo. Click on the Google Assistant logo and then click on 'Link with Google Assistant'. The Google Home App will open. Click on 'Agree and link'. Your OPTI Kinect account should now be linked to your Google Assistant / Google Home account.

After a few seconds your devices from the OPTI Kinect App should be listed in the Google Home App and you are asked to choose from the list. This is where you assign devices to a location (Home) and specific rooms within the Home. You do not need to assign all the devices to the same Home and room, but if you wish to do so then select them all, otherwise just select the ones you want to assign to one specific room. (You can configure the remaining devices later within the Google Home App).

Next you are asked to select the room to which the chosen devices will be assigned. Select an existing room from 'My Rooms' or create a new room using 'Create New'. Once you have selected a room, click 'Next'. All your devices will now appear on the Home page of the Google Home App and be assigned to rooms according to the selections you made previously.

Those devices not assigned to a specific room will be included in the 'Linked to you' list of devices. (Note: to assign one of these devices to a specific room, long press the device button and its dedicated Device

Panel will open. Click the 'Add to a room' button (bottom left) and follow the room assignment procedure as described previously).

You can now control your OPTI devices via the Google Home App or via voice commands using an appropriate Google Home compatible device.

Note: if you later add more devices in your OPTI Kinect App, they might not automatically be recognised by Google Home and you may need to manually recognise them by clicking '+' on the Home page of the Google Home App, then clicking 'Set up a device'.

Once on the 'Set up a device' page, click on 'Works with Google'. A list of manufacturers will appear with those which are already linked to your Google account shown at the top. Opti Kinect should be listed here. Select it and then click 'Check for new device'. On the next page select 'Agree and link'. The App will then search for new Opti Kinect devices and they should appear in the Google Home App once completed.

Similarly, if you change the name of a device from within the OPTI Kinect App you will need to delete the old named version from the Google Home App and re-add it with the new name using the method described above.

F.A.Q

What do I do if the Kino projector is not responding to the App?

If the App is freezing or is not working correctly, force the App to close. Check that your phone or mobile device is fully charged before restarting the App.

If the App still does not work or the projector is not responding, unplug the Kino and then re-connect the power. Also, re-start your phone or mobile device.

If the Kino still does not respond to the App, reset the Kino projector to factory default settings, delete the Kino from the App and then go through the 'Add Device' procedure in the App to re-add the projector to the App.

How do I reset the [OPTI] Kino projector to factory settings?

Turn off the projector at the electrical outlet or disconnect the power inlet connector on the projector.

Press and hold the "Manual Control Button" above the inlet socket. Whilst keeping hold of this button, re-connect the power to the projector.

Once the power has been re-connected to the projector, continue to hold the "Manual Control Button" until the projector turns on.

When the projectors turns on, release the "Manual Control Button".

Important Safety Instructions

When using your projection equipment basic safety precautions should be followed:

- Do not attempt to service the projector unless you are qualified and working under the direction of the manufacturer.
- Do not operate the appliance with a damaged cord, or if the appliance has been dropped, or damaged, until it has been examined by a qualified engineer.
- Position the power supply so that it will not be tripped over, pulled or come into contact with hot surfaces.
- If an extension cord is necessary, a cord with a current rating at least equal to that of the appliance should be used. Cords rated for less amperage than the appliance may overheat.
- Always unplug appliance from electrical outlet before cleaning and servicing and when not in use.
- Never pull cord to remove plug from outlet. Grasp plug and pull to disconnect.
- To reduce the risk of electric shock – do not dismantle this appliance and use correct adaptor supplied.
- Never use the equipment in damp or wet conditions. Avoid excessive heat, humidity, dust and vibration.

All effect wheels should be stored in a dry, warm environment.

Additional Accessories



The [OPTI] Kino has been manufactured by Optikinetics Ltd. Formed in 1970, Optikinetics is the leading innovators of effects lighting and has a plethora of products suitable for any occasion. Each [OPTI] Kino projector comes with one 6" effect wheel. There are over 200 effects wheels to choose from, additional wheels are available to purchase separately. To view our extensive

range, please visit <https://optikinetics.co.uk/effects/> **Note:**

On this projector some 6" wheels, in particular the liquid wheels may look different to when used on another [OPTI] projector.

Guarantee

Optikinetics Ltd guarantees this product for 1 year from the date of purchase from all mechanical, electrical or assembly defect. Within this 1-year period any fault will be repaired or remedied free of charge.



To extend the warranty free of charge to 3 years, please register your [OPTI] Kino LED Projector by visiting www.optikinetics.co.uk/guarantee-form

Note:

The guarantee is void if the projector has been opened or if a repair has been attempted by anyone other than an Optikinetics authorised repairer.

Date _____
Tested _____
Signature _____

A large, empty rectangular box with a thin black border, positioned to the right of the signature lines, intended for a signature or official stamp.

Optikinetics Ltd

38 Cromwell Road
Luton
Bedfordshire
LU3 1DN
England

+44 (0) 1582 411 413
UKAdmin@optikinetics.co.uk

www.optikinetics.co.uk