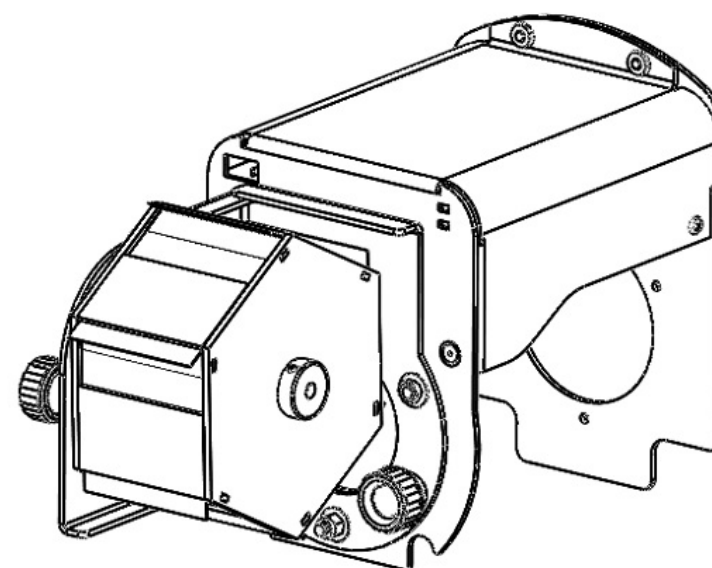


Product name	Barrel Mirror Solar version
SKU no	FG6314AG
Accessory type	Special mirror effect



Input	
Voltage	12VDC
Connection type	Active Gate
Physical Data	
Net weight	0.390kg
Dimensions	W=210 mm; H = 123 mm; D=101mm
Colour	Black
Compatibility	
Projectors	Solar range projectors (250 and 100)
Wheels	X
Gobos	✓
Cassettes	X
Environment	
Indoor	✓
Outdoor	no
Operating Environment	-10° C - 85° C
Speed	Variable speed motor easily adjusted via the speed control pot
Rotation	Three-position switch for clockwise, stationary or anticlockwise rotation
Waranty	1 year